

TUBI FLESSIBILI | FLEXIBLES | FLEXIBLES



VG48002N **FLESSIBILE INOX 15X1 M - 1/2" F 600MM**
 STAINLESS STEEL FLEXIBLE HOSE 15X1 M - 1/2" F 600MM
 FLEXIBLE INOX 15X1 M - 1/2" F 600MM

VG48003N **FLESSIBILE INOX 1/2" M - 1/2" F 600MM**
 STAINLESS STEEL FLEXIBLE HOSE 1/2" M - 1/2" F 600MM
 FLEXIBLE INOX 1/2" M - 1/2" F 600MM

VG48008N **FLESSIBILE INOX 1/2" F - 1/2" F 600MM**
 STAINLESS STEEL FLEXIBLE HOSE 1/2" F - 1/2" F 600MM
 FLEXIBLE INOX 1/2" F - 1/2" F 600MM

FIN.
 G48008N

VG48006N **FLESSIBILE INOX M12X1 M - 1/2" F 400MM**
 STAINLESS STEEL FLEXIBLE HOSE M12X1 M - 1/2" F 400MM
 FLEXIBLE INOX M12X1 M - 1/2" F 400MM

VG48059N **FLESSIBILE NYLON M10X1 M - 3/8" F 400MM**
 STAINLESS NYLON FLEXIBLE HOSE M10X1 M - 3/8" F 400MM
 FLEXIBLE NYLON M10X1 M - 3/8" F 400MM

VG48060N **FLESSIBILE NYLON M10X1 M - 1/2" F 400MM**
 STAINLESS NYLON FLEXIBLE HOSE M10X1 M - 1/2" F 400MM
 FLEXIBLE NYLON M10X1 M - 1/2" F 400MM

VG48061N **FLESSIBILE NYLON M10X1 M - 3/8" F 650MM**
 STAINLESS NYLON FLEXIBLE HOSE M10X1 M - 3/8" F 650MM
 FLEXIBLE NYLON M10X1 M - 3/8" F 650MM

VG48063N **FLESSIBILE NYLON M10X1 M - 1/2" F 650MM**
 STAINLESS NYLON FLEXIBLE HOSE M10X1 M - 1/2" F 650MM
 FLEXIBLE NYLON M10X1 M - 1/2" F 650MM

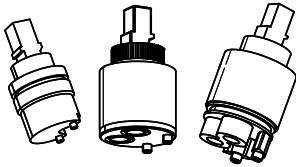
VG48038N **FLESSIBILE INOX M10X1 M - 1/2" F 800MM**
 STAINLESS STEEL FLEXIBLE HOSE M10X1 M - 1/2" F 800MM
 FLEXIBLE INOX M10X1 M - 1/2" F 800MM

■ TUBI FLESSIBILI | FLEXIBLES | FLEXIBLES

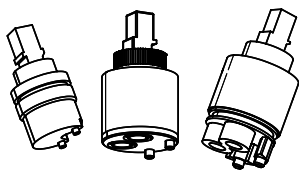


- VG48037N** **FLESSIBILE INOX M10X1 M - 3/8" F 800MM**
STAINLESS STEEL FLEXIBLE HOSE M10X1 M - 3/8" F 800MM
FLEXIBLE INOX M10X1 M - 3/8" F 800MM

■ CARTUCCE MISCELATRICI | MIXINGS CARTRIDGES | CARTOUCHES MITIGEURS



- VG21023N** **CARTUCCIA MISCELATRICE D.25 MM.**
MIXING CARTRIDGE D.25 MM.
CARTOUCHE MITIGEUR D.25 MM.
- VG21029N** **CARTUCCIA MISCELATRICE D.25 MM ENERGY SAVING**
MIXING CARTRIDGE D.25 MM. ENERGY SAVING
CARTOUCHE MITIGEUR D.25 MM. ENERGY SAVING
- VG21024N** **CARTUCCIA MISCELATRICE D.25 MM. CON DISTRIBUTORE**
MIXING CARTRIDGE D.25 MM. WITH DISTRIBUTOR
CARTOUCHE MITIGEUR D.25 MM. AVEC DISTRIBUTEUR
- VG21028N** **CARTUCCIA MISCELATRICE D.25 MM. CON DISTRIBUTORE ENERGY SAVING**
MIXING CARTRIDGE D.25 MM. WITH DISTRIBUTOR ENERGY SAVING
CARTOUCHE MITIGEUR D.25 MM. AVEC DISTRIBUTEUR ENERGY SAVING
- VG21036N** **CARTUCCIA MISCELATRICE D.28 MM. O.RING CORPO**
MIXING CARTRIDGE D.28 MM. O.RING BODY
CARTOUCHE MITIGEUR D.28 MM. O.RING CORPS
- VG21037N** **CARTUCCIA MISCELATRICE D.28 MM. O.RING CORPO ENERGY SAVING**
MIXING CARTRIDGE D.28 MM. O.RING BODY ENERGY SAVING
CARTOUCHE MITIGEUR D.28 MM. O.RING CORPS ENERGY SAVING

CARTUCCE MISCELATRICI | MIXINGS CARTRIDGES | CARTOUCHES MITIGEURS

VG21016N **CARTUCCIA MISCELATRICE D.35 MM. CON DISTRIBUTORE O.RING CORPO**
MIXING CARTRIDGE D.35 MM. WITH DISTRIBUTOR O.RING BODY
CARTOUCHE MITIGEUR D.35 MM. AVEC DISTRIBUTEUR O.RING CORPS

VG21032N **CARTUCCIA MISCELATRICE D.35 MM. CON DISTRIBUTORE O.RING CORPO ENERGY SAVING**
MIXING CARTRIDGE D.35 MM. WITH DISTRIBUTOR O.RING BODY ENERGY SAVING
CARTOUCHE MITIGEUR D.35 MM. AVEC DISTRIBUTEUR O.RING CORPS ENERGY SAVING

VG21018N **CARTUCCIA MISCELATRICE D.35 MM. O.RING CORPO**
MIXING CARTRIDGE D.35 MM. O.RING BODY
CARTOUCHE MITIGEUR D.35 MM. O.RING CORPS

VG21038N **CARTUCCIA MISCELATRICE D.35 O.RING CORPO ENERGY SAVING**
MIXING CARTRIDGE D.35 MM. O.RING BODY ENERGY SAVING
CARTOUCHE MITIGEUR D.35 MM. O.RING CORPS ENERGY SAVING

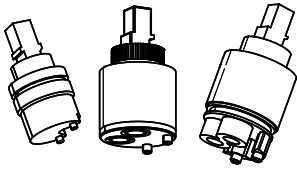
VG21021N **CARTUCCIA MISCELATRICE D.35 MM. CON DISTRIBUTORE**
MIXING CARTRIDGE D.35 MM. WITH DISTRIBUTOR
CARTOUCHE MITIGEUR D.35 MM. AVEC DISTRIBUTEUR

VG21030N **CARTUCCIA MISCELATRICE D.35 MM. CON DISTRIBUTORE ENERGY SAVING**
MIXING CARTRIDGE D.35 MM. WITH DISTRIBUTOR ENERGY SAVING
CARTOUCHE MITIGEUR D.35 MM. AVEC DISTRIBUTEUR ENERGY SAVING

VG21022N **CARTUCCIA MISCELATRICE D.35 MM.**
MIXING CARTRIDGE D.35 MM.
CARTOUCHE MITIGEUR D.35 MM.

VG21031N **CARTUCCIA MISCELATRICE D.35 MM. ENERGY SAVING**
MIXING CARTRIDGE D.35 MM. ENERGY SAVING
CARTOUCHE MITIGEUR D.35 MM. ENERGY SAVING

■ CARTUCCE MISCELATRICI | MIXINGS CARTRIDGES | CARTOUCHES MITIGEURS



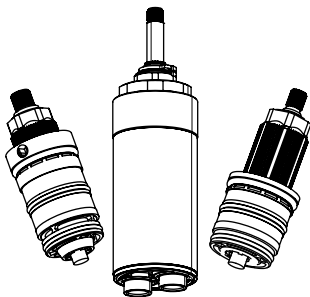
VG21035N **CARTUCCIA MISCELATRICE D.35 MM. INVERSA**
REVERSE MIXING CARTRIDGE D.35 MM.
CARTOUCHE MITIGEUR D.35 MM. INVERSE

VG21040N **CARTUCCIA MISCELATRICE D.35 MM. O.RING ALTA**
MIXING CARTRIDGE D.35 MM. UPPER O.RING
CARTOUCHE MITIGEUR D.35 MM. O.RING HAUT

VG21027N **CARTUCCIA MISCELATRICE D.40 MM.**
MIXING CARTRIDGE D.40 MM.
CARTOUCHE MITIGEUR D.40 MM.

VG21042N **CARTUCCIA ROTATIVA D.35 MM.**
ROTATIVE MIXING CARTRIDGE D.35 MM.
CARTOUCHE MITIGEUR ROTATIVE D.40 MM.

■ CARTUCCE TERMOSTATICHE | THERMOSTATICS CARTRIDGES | CARTOUCHES THERMOSTATIQUES

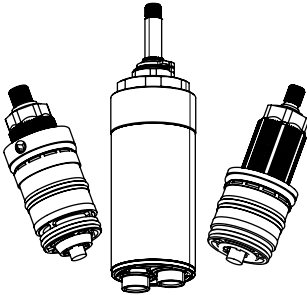


VG22015N **CARTUCCIA TERMOSTATICA 1/2" ASTA BASSA 10X24**
THERMOSTATIC CARTRIDGE 1/2" LOW ROD 10X24
CARTOUCHE THERMOSTATIQUE 1/2" TIGE BASSE 10X24

VG22016N **CARTUCCIA TERMOSTATICA 1/2" ASTA ALTA 8X20**
THERMOSTATIC CARTRIDGE 1/2" HIGH ROD 8X20
CARTOUCHE THERMOSTATIQUE 1/2" TIGE HAUTE 8X20

VG22158N **CARTUCCIA TERMOSTATICA 8X20**
THERMOSTATIC CARTRIDGE 8X20
CARTOUCHE THERMOSTATIQUE 8X20

■ CARTUCCE TERMOSTATICHE | THERMOSTATICS CARTRIDGES | CARTOUCHES THERMOSTATIQUES



VG22163N **CARTUCCIA TERMOSTATICA ASTA CORTA**
SHORT ROD THERMOSTATIC CARTRIDGE
CARTOUCHE THERMOSTATIQUE À TIGE COURTE

VG62030N **CARTUCCIA TERMOSTATICA COASSIALE CON BILANCIATORE DI PRESSIONE 1 VIA E STOP**
1 WAY COAXIAL THERMOSTATIC CARTRIDGE WITH PPRESSIONE BALANCE AND STOP
CARTOUCHE THERMOSTATIQUE COAXIALE 1 SORTIE AVEC EQUILIBRE DE PRESSION ET STOP

VG62031N **CARTUCCIA TERMOSTATICA COASSIALE CON BILANCIATORE DI PRESSIONE 2 VIE E STOP**
2 WAYS COAXIAL THERMOSTATIC CARTRIDGE WITH PPRESSIONE BALANCE AND STOP
CARTOUCHE THERMOSTATIQUE COAXIALE 2 SORTIES AVEC EQUILIBRE DE PRESSION ET STOP

■ VITONI | HEAD WORKS | TETES EN CERAMIQUE



VG22002N **VITONE CERAMICO 1/2" ROTAZIONE 180°**
CERAMIC HEAD WORK 1/2" 180° ROTATION
TETE EN CERAMIQUE 1/2" ROTATION 180°

VG22001N **VITONE CERAMICO 1/2" ROTAZIONE 90° DESTRO**
CERAMIC SCREW 1/2" ROTATION 90° RIGHT
VIS CÉRAMIQUE 1/2" ROTATION 90° DROITE

VG22008N **VITONE CERAMICO 1/2" ROTAZIONE 90° SINISTRO**
CERAMIC SCREW 1/2" ROTATION 90° LEFT
VIS CÉRAMIQUE 1/2" ROTATION 90° GAUCHE

■ **VITONI** | HEAD WORKS | TETES EN CERAMIQUE



VG22056N **VITONE CERAMICO 1/2" ROTAZIONE 90° DX ALZATA 10,4MM**
CERAMIC HEAD WORK 1/2" RIGHT 90° ROTATION HIGH 10,4 MM.
TETE EN CERAMIQUE 1/2" ROTATION DROITE 90° HAUTER 10,4 MM.

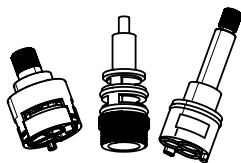
VG22057N **VITONE CERAMICO 1/2" ROTAZIONE 90° DX OSMOSI**
CERAMIC HEAD WORK 1/2" RIGHT 90° ROTATION OSMOSIS
TETE EN CERAMIQUE 1/2" ROTATION DROITE 90° OSMOSE

VG22164N **VITONE CERAMICO 1/2" ROTAZIONE 90° SX**
CERAMIC HEAD WORK 1/2" 90° LEFT ROTATION
TETE EN CERAMIQUE 1/2" ROTATION 90° GAUCHE

VG22167N **VITONE CERAMICO 1/2" 90° DX INVERSO**
CERAMIC HEAD WORK 1/2" 90° RIGHT NVERSE
TETE EN CERAMIQUE 1/2" ROTATION 90° DROIT INVERSO

VG22168N **VITONE CERAMICO 1/2" 90° SX INVERSO**
CERAMIC HEAD WORK 1/2" 90° LEFT NVERSE
TETE EN CERAMIQUE 1/2" ROTATION 90° GAUCHE INVERSO

VG22169N **VITONE CERAMICO 1/2" - 90° SX**
CERAMIC HEAD WORK 1/2" 90° LEFT
TETE EN CERAMIQUE 1/2" ROTATION 90° GAUCHE

■ **DEVIATORI** | DIVERTERS | INVERSEURS

V209001C **DEVIATORE PER LAVELLO A PARETE 1/2" F X 3/4" M**
SINK WALL DIVERTER 1/2" F X 3/4" M
INVERSEUR EVIER MURAL 1/2" F X 3/4" M

FIN.
209001 C

VG20042N **CARTUCCIA DEVIATRICE 3 VIE**
3 WAYS DIVERTING CARTRIDGE
CARTOUCHE INVERSEUR 3 VOIES

VG20044N **CARTUCCIA DEVIATRICE 3 VIE**
3 WAYS DIVERTING CARTRIDGE
CARTOUCHE INVERSEUR 3 VOIES

VG20045N **CARTUCCIA DEVIATRICE 2 VIE CON CHIUSURA**
2 WAYS DIVERTING CARTRIDGE WITH STOP
CARTOUCHE INVERSEUR 2 VOIES AVEC STOP

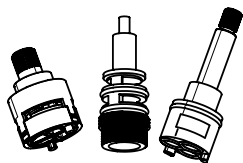
VG20046N **CARTUCCIA DEVIATRICE 2 VIE**
2 WAYS DIVERTING CARTRIDGE
CARTOUCHE INVERSEUR 2 VOIES

VG20047N **CARTUCCIA DEVIATRICE 3 VIE**
3 WAYS DIVERTING CARTRIDGE
CARTOUCHE INVERSEUR 3 VOIES

VG20049N **CARTUCCIA DEVIATRICE 3 VIE CON CHIUSURA**
3 WAYS DIVERTING CARTRIDGE WITH STOP
CARTOUCHE INVERSEUR 3 VOIES AVEC STOP

VG20052N **CARTUCCIA DEVIATRICE 1 VIE CON CHIUSURA**
1 WAY DIVERTING CARTRIDGE WITH STOP
CARTOUCHE INVERSEUR 1 VOIE AVEC STOP

■ DEVIATORI | DIVERTERS | INVERSEURS



VG20053N **CARTUCCIA DEVIATRICE 2 VIE**
2 WAYS DIVERTING CARTRIDGE
CARTOUCHE INVERSEUR 2 VOIES

VG20054N **CARTUCCIA DEVIATRICE 3 VIE**
3 WAYS DIVERTING CARTRIDGE
CARTOUCHE INVERSEUR 3 VOIES

VG20055N **CARTUCCIA DEVIATRICE 2 VIE CON CHIUSURA**
2 WAYS DIVERTING CARTRIDGE WITH STOP
CARTOUCHE INVERSEUR 2 VOIES AVEC STOP

VG20056N **CARTUCCIA DEVIATRICE 2 VIE**
2 WAYS DIVERTING CARTRIDGE
CARTOUCHE INVERSEUR 2 VOIES

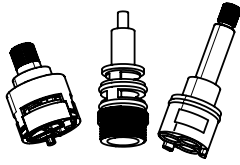
VG20057N **CARTUCCIA DEVIATRICE 2 VIE**
2 WAYS DIVERTING CARTRIDGE
CARTOUCHE INVERSEUR 2 VOIES

VG20058N **CARTUCCIA DEVIATRICE 2 VIE**
2 WAYS DIVERTING CARTRIDGE
CARTOUCHE INVERSEUR 2 VOIES

VG20059N **CARTUCCIA DEVIATRICE 2 VIE**
2 WAYS DIVERTING CARTRIDGE
CARTOUCHE INVERSEUR 2 VOIES

VG20060N **CARTUCCIA DEVIATRICE 2 VIE CON CHIUSURA**
2 WAYS DIVERTING CARTRIDGE WITH STOP
CARTOUCHE INVERSEUR 2 VOIES AVEC STOP

■ DEVIATORI | DIVERTERS | INVERSEURS



VG20061N **CARTUCCIA DEVIATRICE 3 VIE**
3 WAYS DIVERTING CARTRIDGE
CARTOUCHE INVERSEUR 3 VOIES

VG20062N **CARTUCCIA DEVIATRICE 3 VIE CON CHIUSURA**
3 WAYS DIVERTING CARTRIDGE WITH STOP
CARTOUCHE INVERSEUR 3 VOIES AVEC STOP

VG20105XX **DEVIATORE VASCA**
BATH DIVERTER
INVERSEUR BAIGNOIRE

FIN.
G20105 C

VG20106XX **DEVIATORE VASCA**
BATH DIVERTER
INVERSEUR BAIGNOIRE

FIN.
G20106 C

VG20107XX **DEVIATORE VASCA**
BATH DIVERTER
INVERSEUR BAIGNOIRE

FIN.
G20107 C

VG20109XX **DEVIATORE VASCA**
BATH DIVERTER
INVERSEUR BAIGNOIRE

FIN.
G20109 C

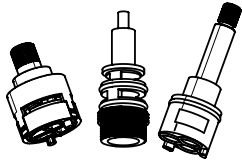
VG20117XX **DEVIATORE VASCA**
BATH DIVERTER
INVERSEUR BAIGNOIRE

FIN.
G20117 C

VG20130XX **DEVIATORE 2 VIE A CROCE PUSH**
2-WAY CROSS PUSH SWITCH
INTERRUPTEUR TRANSVERSAL À 2 VOIES

FIN.
G20117 C

■ DEVIATORI | DIVERTERS | INVERSEURS



VG20121XX **DEVIATORE VASCA**
BATH DIVERTER
INVERSEUR BAIGNOIRE

FIN.
G20121 C

VG20131N **CARTUCCIA DEVIATORE 2VIE SENZA STOP**
2-WAY DIVERTER CARTRIDGE WITHOUT STOP
CARTOUCHE DE DÉRIVATION À 2 VOIES SANS BUTÉE

VG20137N **CARTUCCIA DEVIATORE 4 VIE**
4-WAY DIVERTER CARTRIDGE
CARTOUCHE DE DÉRIVATION À 4 VOIES

VG28080XX **DEVIATORE VASCA CON BOCCA**
BATH DIVERTER WITH SPOUT
INVERSEUR BAIGNOIRE AVEC BEC

FIN.
G28080 C

■ AREATORI E SNODI | AERATORS AND JUNCTION | MOUSSEURS ET ROTULES



VA76026N **AREATORE M16,5X1 A SCOMPARSATA TENUTA RADIALE**
RADIAL SEAL CACHÉ AERATOR M16 5X1
MOUSSEUR CACHÉ A' ETANCHEITE RADIALE M16 5X1

VA76027N **AREATORE M24X1 A SCOMPARSATA TENUTA FRONTALE**
FRONTAL SEAL CACHÉ AERATOR M24X1
MOUSSEUR CACHÉ A' ETANCHEITE FRONTALE M24X1

VA76028N **AREATORE M24X1 A SCOMPARSATA TENUTA RADIALE**
RADIAL SEAL CACHÉ AERATOR M24X1
MOUSSEUR CACHÉ A' ETANCHEITE RADIALE M24X1

■ **AREATORI E SNODI** | AERATORS AND JUNCTION | MOUSSEURS ET ROTULES



VA76039N **AERATORE M18,5X1 A SCOMPARSA TENUTA RADIALE**
RADIAL SEAL CACHÉ AERATOR M18,5X1
MOUSSEUR CACHÉ A' ETANCHEITE RADIALE M18,5X1

VA76041N **AERATORE M24X1 ORIENTABILE**
ADJUSTABLE AERATOR M24X1
AÉRATEUR RÉGLABLE M24X1

VA76042N **AERATORE M24X1 8 L/MIN**
AERATOR M24X1 8 L/MIN
AÉRATEUR M24X1 8 L/MIN

VA76043N **AERATORE M24X1**
AERATOR M24X1
AÉRATEUR M24X1

VA76055N **ROMPIGETTO M28X1**
M28X1 BREAKER
M28X1 BRISEUR

VA76059N **AERATORE M18X1**
AERATOR M18X1
AÉRATEUR M18X1

VG76010XX **AERATORE M24X1 M CON ANELLO CROMATO**
AERATOR M24X1 WITH CHROMED RING
MOUSSEUR M24X1 AVEC BAGUE CHROMÉ

FIN.
G76010 C

VG76011XX **AERATORE M28X1**
AERATOR M28X1
AÉRATEUR M28X1

FIN.
G76016 C
G76016 NO | BI
G76016 OO | RO | GO | BR | RA | NS | TU
G76016 OR | OS | NE



VG76016XX AREATORE M22X1 F CON ANELLO ARROTONDATO

AERATOR M22X1 WITH ROUNDED RING
MOUSSEUR M22X1 AVEC BAGUE ARRONDI

FIN.

G76016N

VG76018N AREATORE RETTANGOLARE A SCOMPARSA

CACHÉ RECTANGULAR AERATOR
MOUSSEUR CACHÉ RECTANGULAIRE

VG76025XX AREATORE M22X1 F CON ANELLO CROMATO

AERATOR M22X1 F WITH CHROMED RING
MOUSSEUR M22X1 F AVEC BAGUE CHROMÉ

FIN.

G76025 C

VG76030XX AREATORE M16X1 F CON ANELLO CROMATO

AERATOR M16X1 F WITH CHROMED RING
MOUSSEUR M16X1 F AVEC BAGUE CHROMÉ

FIN.

G76030 C

VG76031N AREATORE M24X1 M INOX

AERATOR M24X1 M STAINLESS STEEL
MOUSSEUR M24X1 M INOX

VG76032N AREATORE M22X1 F INOX

AERATOR M22X1 F STAINLESS STEEL
MOUSSEUR M22X1 F INOX

VG76033XX AREATORE M22X1 DOPPIO GETTO PER OSMOSI

AERATOR M22X1 OSMOSIS DOUBLE JETS
MOUSSEUR M22X1 DOUBLE JETS POUR OSMOSE

FIN.

G76033 C

VG76013XX SNODO BIDET M24X1 M - M24X1 F

BIDET JUNCTION M24X1 M - M24X1 F
ROTULE POUR BIDET M24X1 M - M24X1 F

FIN.

G76013 C

0

■ AREATORI E SNODI | AERATORS AND JUNCTIONS | MOUSSEURS ET ROTULES



VG76014XX SNODO BIDET M12X1 M - M16X1 F
BIDET JUNCTION M12X1 M - M16X1 F
ROTULE POUR BIDET M12X1 M - M16X1 F

FIN.
G76014 C

VG76024XX SNODO BIDET M24X1 M - M22X1 M
BIDET JUNCTION M24X1 M - M22X1 M
ROTULE POUR BIDET M24X1 M - M22X1 M

FIN.
G76024 C

VG76026XX SNODO BIDET M14X1 M - M22X1 M
BIDET JUNCTION M14X1 M - M22X1 M
ROTULE POUR BIDET M14X1 M - M22X1 M

FIN.
G76026 C

VG76027XX SNODO BIDET M12X1 M - M22X1 M
BIDET JUNCTION M12X1 M - M22X1 M
ROTULE POUR BIDET M12X1 M - M22X1 M

FIN.
G76027 C

VG76029XX SNODO BIDET M16X1 M - M16X1 M
BIDET JUNCTION M16X1 M - M16X1 M
ROTULE POUR BIDET M16X1 M - M16X1 M

FIN.
G76029 C

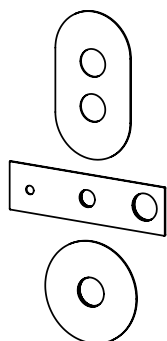
VG76035XX SNODO BIDET M16X1 M - M22X1 M
BIDET JUNCTION M16X1 M - M22X1 M
ROTULE POUR BIDET M16X1 M - M22X1 M

FIN.
G76035 C

VG76038XX SNODO BIDET M16,5X1 M - M16,5X1 F
BIDET JUNCTION M16X1 M - M16,5X1 F
ROTULE POUR BIDET M16X1 M - M16,5X1 F

FIN.
G76038 C

■ **PIASTRE** | PLATES | PLAQUES



G95116C **PIASTRA 1 FORO TONDA D.70**
PLATE 1 HOLE ROUND D.70
PLAQUE 1 TROU ROND D.70

FIN.
C

G95129C **PIASTRA OVALE LAVABO INCASSO**
OVAL FLUSH-MOUNTED BASIN PLATE
PLAQUE DE LAVABO OVALE À ENCASTRER

FIN.
C

G95110C **PIASTRA 1 FORO TONDA D.110**
PLATE 1 HOLE ROUND D.110
PLAQUE 1 TROU ROND D.110

FIN.
C

G95109C **PIASTRA OVALE 2 FORI**
OVAL PLATE 2 HOLES
PLAQUE OVALE 2 TROUS

FIN.
C

G95132C **PIASTRA TONDA D.70**
ROUND PLATE D.70
PLAQUE RONDE D.70

FIN.
C

G95182C **PIASTRA OVALE 3 FORI VASCA ORIZZONTALE**
OVAL PLATE 3 HOLES HORIZONTAL TUB
PLAQUE OVALE 3 TROUS BAIGNOIRE HORIZONTALE

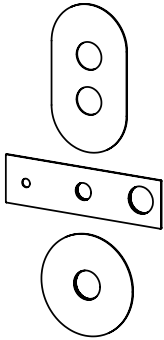
FIN.
C

G95181C **PIASTRA OVALE 3 FORI DOCCIA ORIZZONTALE**
OVAL 3-HOLE HORIZONTAL SHOWER PLATE
PLAQUE DE DOUCHE OVALE 3 TROUS HORIZONTALE

FIN.
C

G95117C **PIASTRA 1 FORO QUADRA 70X70**
1-HOLE SQUARE PLATE 70X70
PLAQUE CARRÉE À 1 TROU 70X70

FIN.
C

PIASTRE | PLATES | PLAQUES
**G95130C**

PIASTRA RETTANGOLARE LAVABO INCASSO
RECTANGULAR FLUSH-MOUNTED BASIN PLATE
PLAQUE DE LAVABO RECTANGULAIRE À ENCASTRER

FIN.
C

G95113C

PIASTRA 1 FORO QUADRA 110X110
PLATE 1 HOLE SQUARE 110X110
PLAQUE 1 TROU CARRÉ 110X110

FIN.
C

G95112C

PIASTRA RETTANGOLARE 2 FORI
RECTANGULAR PLATE 2 HOLES
PLAQUE RECTANGULAIRE 2 TROUS

FIN.
C

G95175C

PIASTRA QUADRA 70X70
SQUARE PLATE 70X70
PLAQUE CARRÉE 70X70

FIN.
C

G95180C

PIASTRA RETTANGOLARE 3 FORI VASCA ORIZZONTALE
RECTANGULAR PLATE 3 HOLES HORIZONTAL TUB
PLAQUE RECTANGULAIRE 3 TROUS BAC HORIZONTAL

FIN.
C

G95183C

PIASTRA RETTANGOLARE 3 FORI DOCCIA ORIZZONTALE
RECTANGULAR 3-HOLE HORIZONTAL SHOWER PLATE
PLAQUE DE DOUCHE HORIZONTALE RECTANGULAIRE À 3 TROUS

FIN.
C

G95103C

PIASTRA TONDA CROMO TERMO 1/2"
ROUND PLATE CHROME THERMO 1/2"
PLAQUE RONDE CHROME THERMO 1/2"

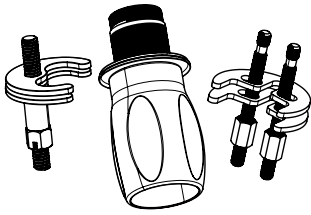
FIN.
C

G95104C

PIASTRA QUADRA CROMO TERMO 1/2"
SQUARE PLATE CHROME THERMO 1/2"
PLAQUE CARRÉE CHROME THERMO 1/2"

FIN.
C

■ KIT FISSAGGIO | FIXING KIT | KIT DE FIXATION



VG72051N **KIT FISSAGGIO 2 TIRANTI M6X1 L280**
2 RODS FIXING KIT M6X1 L280
KIT DE FIXATION A 2 TIRANTS M6X1 L280

VG72049N **KIT FISSAGGIO 1 TIRANTI M8X1**
1 RODS FIXING KIT M8X1
KIT DE FIXATION A 1 TIRANTS M8X1

VG72050N **KIT FISSAGGIO 2 TIRANTE M6**
2 ROD FIXING KIT M6
KIT DE FIXATION A 2 TIRANT M6

VG72027N **KIT FISSAGGIO GHIERA M33X1,5**
FIXING KIT WITH RING M33X1,5
KIT DE FIXATION AVEC ANNEAU M33X1,5

VG72052N **KIT FISSAGGIO 1 TIRANTI M8X1 L130**
1 RODS FIXING KIT M8X1 L130
KIT DE FIXATION A 1 TIRANTS M8X1 L130

VG72031N **KIT FISSAGGIO GHIERA M32X1,5**
FIXING KIT WITH RING M32X1,5
KIT DE FIXATION AVEC ANNEAU M32X1,5

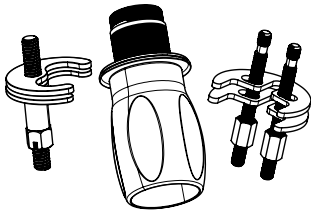
VG72032N **KIT FISSAGGIO INOX**
STAINLESS STEEL FIXING KIT
KIT DE FIXATION INOX

VG72033N **KIT FISSAGGIO GHIERA M33X1,5**
FIXING KIT WITH RING M33X1,5
KIT DE FIXATION AVEC ANNEAU M33X1,5

VG72034N **KIT FISSAGGIO GHIERA**
FIXING KIT WITH RING
KIT DE FIXATION AVEC ANNEAU

VG72035N **KIT FISSAGGIO 2 TIRANTI M6X1 L70**
2 RODS FIXING KIT M6X1 L70
KIT DE FIXATION A 2 TIRANTS M6X1 L70

■ KIT FISSAGGIO | FIXING KIT | KIT DE FIXATION



VG72040N **KIT FISSAGGIO PIANTANE W27X19**
FIXING STAND KIT W27X19
KIT DE FIXATION SUPPORT W27X19

VG72043N **KIT FISSAGGIO INOX**
STAINLESS STEEL FIXING KIT
KIT DE FIXATION INOX

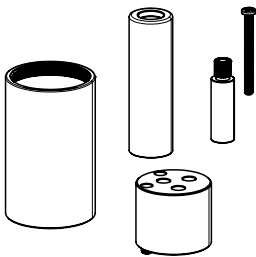
VG72053N **KIT FISSAGGIO M32X1-M34X1.5**
FIXING KIT M32X1-M34X1.5
KIT DE FIXATION M32X1-M34X1.5

VG72078N **KIT FISSAGGIO M32X1-M34X1.5**
FIXING KIT M32X1-M34X1.5
KIT DE FIXATION M32X1-M34X1.5

VG72013N **KIT FISSAGGIO M32X1-M34X1.5**
FIXING KIT M32X1-M34X1.5
KIT DE FIXATION M32X1-M34X1.5

VG72093N **KIT FISSAGGIO M32X1-M34X1.5**
FIXING KIT M32X1-M34X1.5
KIT DE FIXATION M32X1-M34X1.5

■ PROLUNGHE INCASSI | EXTENSIONS BUILT-IN | EXTENSIONS ENCASTRÉ



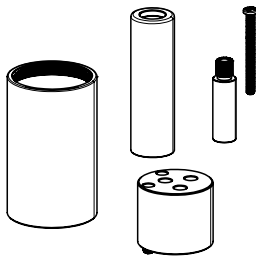
PRO-340 **KIT PROLUNGA INCASSO VITONE**
EXTENSION KIT FOR BUILT-IN HEAD WORK
KIT D'EXTENSION TETE MECHANIQUE ENCASTRÉ

FIN.
EXT-VIT

PRO-380 **KIT PROLUNGA INCASSO VITONE + FILETTO 1/2"**
EXTENSION KIT FOR BUILT-IN HEAD WORK + 1/2" THREAD
KIT D'EXTENSION TETE MECHANIQUE ENCASTRÉ + FILETAGE 1/2"

FIN.
EXT-VIT-1/2

■ PROLUNGHE INCASSI | EXTENSIONS BUILT-IN | EXTENSIONS ENCASTRÉ



PRO-210

KIT PROLUNGA INCASSO VITONE + DEVIATORE

EXTENSION KIT FOR BUILT-IN HEAD WORK + DIVERTER
KIT D'EXTENSION TETE MECHANIQUE ENCASTRÉ + INVERSEUR

FIN.

EXT-VIT-DEV C

PRO-250

KIT PROLUNGA INCASSO MISCELATORE D35 CROMO

EXTENSION KIT FOR BUILT-IN MIXER D35 MM. CHROME
KIT D'EXTENSION POUR MITIGEUR ENCASTRÉ D35 MM. CHROMÉ

FIN.

EXT-35-1V C

PRO-200/230

KIT PROLUNGA INCASSO MISCELATORE D35 MM. + DEVIATORE CROMO

EXTENSION KIT FOR BUILT-IN MIXER D35 MM. + CHROME DIVERTER
KIT D'EXTENSION POUR MITIGEUR ENCASTRÉ D35 MM. + INVERSEUR CHROMÉ

FIN.

EXT-35-23V C

PRO-350/360

KIT PROLUNGA INCASSO MISCELATORE D35 MM. + FILETTO 1/2" CROMO

EXTENSION KIT FOR BUILT-IN MIXER D35 MM. + 1/2" THREAD CHROME
KIT D'EXTENSION POUR MITIGEUR ENCASTRÉ D35 MM. + FILETAGE 1/2" CHROMÉ

FIN.

EXT-35-1/2 C

PRO-150/220

KIT PROLUNGA INCASSO MISCELATORE D35 MM. + FILETTO 1/2" DEVIATORE CROMO

EXTENSION KIT FOR BUILT-IN D35 MM. MIXER + 1/2" THREAD CHROME DIVERTER
KIT D'EXTENSION POUR MITIGEUR ENCASTRÉ D35 MM. + FILETAGE 1/2" INVERSEUR CHROMÉ

FIN.

EXT-35-1/2-DEV C

PRO-345/346/347

KIT DI PROLUNGA (30MM) PER DEVIATORE

EXTENSION KIT (30MM) FOR DEVIATOR
KIT D'EXTENSION (30MM) POUR DÉVIATOR

FIN.

PRO-390

KIT DI PROLUNGA (15MM) INCASSO L.BO 3 FORI CROCE

FLUSH MOUNTING KIT (15MM) L.BO 3 HOLES CROSS
KIT DE MONTAGE FLUSH (15MM) L.BO 3 TROUS CROISÉS

FIN.

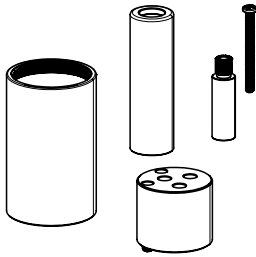
PRO-20340

KIT DI PROLUNGA (15MM) RUBINETTO INCASSO CROCE

EXTENSION KIT (15MM) CROSS FITTED TAP
KIT D'EXTENSION (15MM) TAP À EMBOÎTEMENT CROISÉ

FIN.

■ PROLUNGHE INCASSI | EXTENSIONS BUILT-IN | EXTENSIONS ENCASTRÉ

**PRO-G65****KIT DI PROLUNGA (20MM) PER PASSORAPIDO**

EXTENSION KIT (20 MM) FOR SLIDING DOOR PASSENGER
KIT D'EXTENSION (20 MM) POUR PORTE COULISSANTE PASSAGER

FIN.

PRO-258**KIT DI PROLUNGA (18,5MM) PER INCASSO TERMO 1 VIA**

EXTENSION KIT (18.5 MM) FOR THERMAL RECESSING 1 WAY
KIT D'EXTENSION (18,5 MM) POUR RECESSING THERMIQUE 1 VOIE

FIN.

PRO-208**KIT DI PROLUNGA (18,5MM) PER INCASSO TERMO 2 VIE**

EXTENSION KIT (18.5 MM) FOR 2-WAY THERMAL FLUSH MOUNTING
KIT D'EXTENSION (18,5 MM) POUR MONTAGE THERMIQUE 2 VOIES EN FLASH

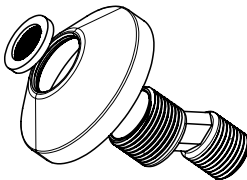
FIN.

PRO-238**KIT DI PROLUNGA (18,5MM) PER INCASSO TERMO 3 VIE**

EXTENSION KIT (18.5 MM) FOR 3-WAY THERMAL FLUSH MOUNTING
KIT D'EXTENSION (18,5 MM) POUR MONTAGE THERMIQUE 3 VOIES EN FLASH

FIN.

■ KIT MONTAGGIO MISCELATORI | MIXERS INSTALLATION KIT | KIT DE INSTALLATION MITIGEURS

**VG78016XX****KIT MONTAGGIO MISCELATORI A PARETE CON ROSONE STANDARD**

EXPOSED MIXERS INSTALLATION KIT WITH STANDARD COVER
KIT DE INSTALLATION MITIGEURS APPARENTS AVEC ROSACE STANDARD

FIN.

G78016 C

VG78003XX**KIT MONTAGGIO MISCELATORI A PARETE CON ROSONE TONDO**

EXPOSED MIXERS INSTALLATION KIT WITH ROUND COVER
KIT DE INSTALLATION MITIGEURS APPARENTS AVEC ROSACE RONDE

FIN.

G78003 C

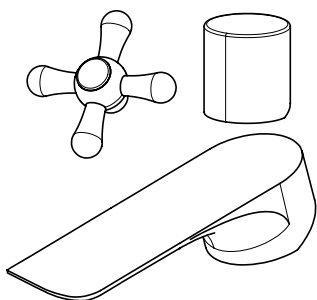
VG78034XX**KIT MONTAGGIO MISCELATORI A PARETE CON ROSONE QUADRO**

EXPOSED MIXERS INSTALLATION KIT WITH SQUARED COVER
KIT DE INSTALLATION MITIGEURS APPARENTS AVEC ROSACE CARRÉ

FIN.

G78034 C

■ MANIGLIE E LEVE | HANDLES AND LEVERS | POIGNEE ET LEVIERS



361004XX

KIT MANIGLIE QUADRO TERMOSTATICO COASSIALE 1/2"
1/2" COAXIAL THERMOSTATIC QUADRO HANDLE KIT
KIT POIGNEE 1/2" THERMOSTATIQUE COAXIALE QUADRO

FIN.
C

361005XX

KIT MANIGLIE STILO TERMOSTATICO COASSIALE 1/2"
1/2" COAXIAL THERMOSTATIC STILO HANDLE KIT
KIT POIGNEE 1/2" THERMOSTATIQUE COAXIALE STILO

FIN.
C

VA34007XX-AR
VA34007XX-AR-180

LEVA PUNTA D40 MM. CROMATA
PUNTA D40 MM. CHROMED LEVER
LEVIER PUNTA D40 MM. CHROMÉ

FIN.
C

VA34010XX-AR
VA34010XX-AR-180

LEVA QUADRO D25 MM. CROMATA
QUADRO D25 MM. CHROMED LEVER
LEVIER QUADRO D25 MM. CHROMÉ

FIN.
C

VA34011XX-AR
VA34011XX-AR-180

LEVA EPOCA D40 MM. CROMATA
EPOCA D40 MM. CHROMED LEVER
LEVIER EPOCA D40 MM. CHROMÉ

FIN.
C

VA34026XX-AR
VA34026XX-AR-180

LEVA ANTICA D40 MM. CROMATA
ANTICA D40 MM. CHROMED LEVER
LEVIER ANTICA D40 MM. CHROMÉ

FIN.
A34026 C

VA34030XX-AR
VA34030XX-AR-180
VA34030XX-AR-90

LEVA CRISTALLO D35 MM. CROMATA
CRISTALLO D35 MM. CHROMED LEVER
LEVIER CRISTALLO D35 MM. CHROMÉ

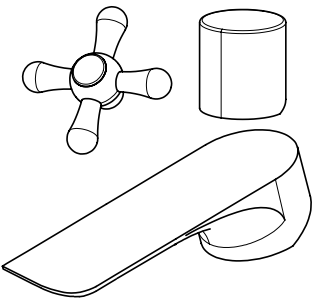
FIN.
A34030 C

VA34034XX-AR
VA34034XX-AR-180

LEVA QUADRO D35 MM. CROMATA
QUADRO D35 MM. CHROMED LEVER
LEVIER QUADRO D35 MM. CHROMÉ

FIN.
A34034 C

■ MANIGLIE E LEVE | HANDLES AND LEVERS | POIGNEE ET LEVIERS



VA34035XX-AR
VA34035XX-AR-180

LEVA DIAMANTE D40 MM. CROMATA
DIAMANTE D40 MM. CHROMED LEVER
LEVIER DIAMANTE D40 MM. CHROMÉ

FIN.
C

VA34036C-AR-180

LEVA LAVELLO STILO D35 MM. CROMATA
QUADRO D35 MM. CHROMED SINK LEVER
LEVIER EVIER QUADRO D35 MM. CHROMÉ

FIN.
C

VA34039XX-AR

LEVA FRANCIACORTA D25 MM. CROMATA
FRANCIACORTA D25 MM. CHROMED LEVER
LEVIER FRANCIACORTA D25 MM. CHROMÉ

FIN.
C

VA34040XX-AR

LEVA FRANCIACORTA D35 MM. CROMATA
FRANCIACORTA D35 MM. CHROMED LEVER
LEVIER FRANCIACORTA D35 MM. CHROMÉ

FIN.
C

VA34051XX-AR-180

LEVA LAVELLO 84750 D35 MM. CROMATA
SINK 84750 D35 MM. CHROMED LEVER
LEVIER EVIER 84750 D35 MM. CHROMÉ

FIN.
C

VA34053C-AR-180

LEVA ACQUE SEPARATE
SEPARATE WATER LEVER
LEVIER D'EAU SÉPARÉ

FIN.
C

VA34058XX-AR
VA34058XX-AR-180
VA34058XX-AR-90

LEVA OGGETTO DESIGN D35 MM. CROMATA
OGGETTO DESIGN D35 MM. CHROMED LEVER
LEVIER OGGETTO DESIGN D35 MM. CHROMÉ

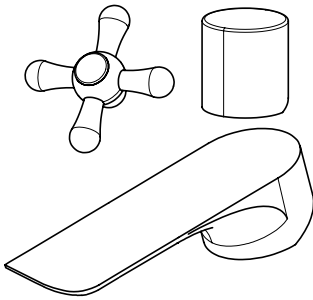
FIN.
C

VA34059XX-AR
VA34059XX-AR-180

LEVA GEMMA D25 MM. CROMATA
GEMMA D25 MM. CHROMED LEVER
LEVIER GEMMA D25 MM. CHROMÉ

FIN.
C

■ MANIGLIE E LEVE | HANDLES AND LEVERS | POIGNEE ET LEVIERS



VA34060XX-AR

LEVA TORRE D25 MM. CROMATA
TORRE D25 MM. CHROMED LEVER
LEVIER TORRE D25 MM. CHROMÉ

FIN.
C

VA34061XX-AR
VA34061XX-AR-180

LEVA STILO D25 MM. CROMATA
STILO D25 MM. CHROMED LEVER
LEVIER STILO D25 MM. CHROMÉ

FIN.
C

VA34062XX-AR
VA34062XX-AR-180
VA34062XX-AR-90

LEVA QUADRO SHORT D35 MM. CROMATA
QUADRO D35 MM. CHROMED LEVER
LEVIER QUADRO DESIGN D35 MM. CHROMÉ

FIN.
C

VA34063XX-AR
VA34063XX-AR-180

LEVA OGGETTO D35 MM. CROMATA
OGGETTO D35 MM. CHROMED LEVER
LEVIER OGGETTO D35 MM. CHROMÉ

FIN.
C

VA34064XX-AR
VA34064XX-AR-180
VA34064XX-AR-90

LEVA OGGETTO SHORT D35 MM. CROMATA
OGGETTO D35 MM. SHORT CHROMED LEVER
LEVIER OGGETTO SHORT D35 MM. CHROMÉ

FIN.
C

VA34065XX-AR
VA34065XX-AR-180

LEVA PUNTA+ D35 MM. CROMATA
PUNTA+ D35 MM. CHROMED LEVER
LEVIER PUNTA+ D35 MM. CHROMÉ

FIN.
C

VA34066XX-AR
VA34066XX-AR-180
VA34066XX-AR-90

LEVA DOMUS+ D35 MM. CROMATA
DOMUS+ D35 MM. CHROMED LEVER
LEVIER DOMUS+ D35 MM. CHROMÉ

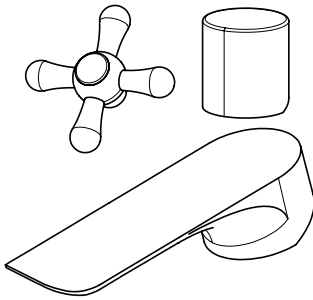
FIN.
C

VA34067N-AR-180

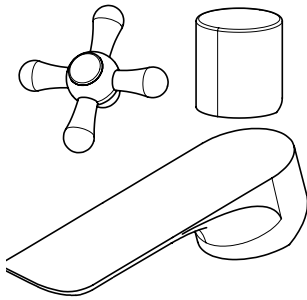
LEVA STILO D25 MM. INOX
STILO D25 MM. STAINLESS STEEL LEVER
LEVIER STILO D25 MM. INOX

FIN.
C

■ MANIGLIE E LEVE | HANDLES AND LEVERS | POIGNEE ET LEVIERS

**VA34068N-AR-180****LEVA STILO D35 MM. INOX**STILO D35 MM. STAINLESS STEEL LEVER
LEVIER STILO D35 MM. INOXFIN.
C**VA34070XX-AR**
VA34070XX-AR-180
VA34070XX-AR-90**LEVA INDY D35 MM. CROMATA**INDY D35 MM. CHROMED LEVER
LEVIER INDY D35 MM. CHROMÉFIN.
C**VA34091XX-AR****LEVA MISCELATORE IDROSCOPINO TONDO**ROUND WASHBASIN MIXER LEVER
MITIGEUR DE LAVABO RONDFIN.
C**VA34092N-AR-180****LEVA STILO D35 MM. INOX .**LEVIER STILO D35 MM. ACIER INOXYDABLE
STILO LEVER D35 MM. STAINLESS STEELFIN.
C**VA34109XX-AR****LEVA MISCELATORE IDROSCOPINO QUADRO**SQUARE HYDROSCOPE MIXER LEVER
HYDROSCOPE CARRÉ LEVIER MÉLANGEURFIN.
C**VG37024XX****MANIGLIA CROCE CON PLACCHE C&F**CROCE HANDLE WITH C&F SIGNS
POIGNEE CROCE AVEC PLAQUETTES C&FFIN.
C**VG34021XX-65-AR-180****LEVA STILO D.35 PERNO L=65 MM**STYLISH LEVER D.35 PIN L=65 MM
STILO LEVER D.35 PIN L=65 MMFIN.
C**VG34031XX-100-AR****LEVA STILO ASTA INCLINATA D35 MM.**STILO INCLINED ROD D35 MM. LEVER
LEVIER STILO TIGE INCLINE' D35 MM.FIN.
C**VA66040N****LEVA STILO D.35 PERNO L=65 MM**STYLISH LEVER D.35 PIN L=65 MM
STILO LEVER D.35 PIN L=65 MMFIN.
C

■ MANIGLIE E LEVE | HANDLES AND LEVERS | POIGNEE ET LEVIERS



VG34054XX
VG34054XX-AR
VG34054XX-AR-180
VG34054XX-AR-90

LEVA GEMMA D35 MM.
GEMMA D35 MM. LEVER
LEVIER GEMMA D35 MM.

FIN.
C

VG34055XX
VG34055XX-AR
VG34055XX-AR-180
VG34055XX-AR-90

LEVA TORRE D35
TORRE D35 MM. LEVER
LEVIER TORRE D35 MM.

FIN.
C

VG34056XX-100-AR

LEVA STILO D35 MM.
STILO D35 MM. LEVER
LEVIER STILO D35 MM.

FIN.
C

VG34056XX-35-AR
VG34056XX-35-AR-90

LEVA STILO D35 MM.
STILO D35 MM. LEVER
LEVIER STILO D35 MM.

FIN.
C

VG34056XX-65-AR
VG34056XX-65-AR-180

LEVA STILO D35 MM.
STILO D35 MM. LEVER
LEVIER STILO D35 MM.

FIN.
C

VG34083XX-AR
VG34083XX-AR-180
VG34083XX-AR-90

LEVA COMPLETA BOCCACCIO7
COMPLETE BUSH BOCCACCIO7
DOUILLE COMPLÈTE BOCCACCIO7

FIN.
C

VG34093BIL

LEVA INFINITAMENTE 35MM CERAMICA BIANCA LUCIDA COM
LEVER INFINITELY 35MM CERAMIC WHITE POLISHED COM
LEVIER INFINI 35MM CÉRAMIQUE BLANC POLI COM

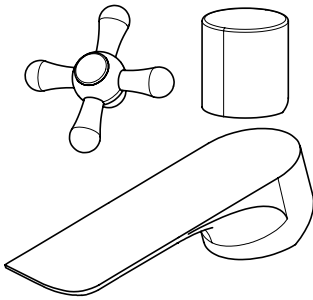
FIN.
C

VG34093NO

LEVA INFINITAMENTE 35MM CERAMICA NERO OPACO COM
LEVER INFINITELY 35MM CERAMIC MATT BLACK COM
LEVER INFINITELY 35MM CERAMIC MATT BLACK COM

FIN.
C

■ **MANIGLIE E LEVE** | HANDLES AND LEVERS | POIGNEE ET LEVIERS



VG34095XX

LEVA LEGGERMENTE 35MM COMPLETA.
LEVER LEGGERMENTE 35MM COMPLETE
LEVIER LEGGERMENTE 35 MM COMPLET

FIN.
C

VG34096XX

LEVA PRECISAMENTE 35MM COMPLETA
LEVER PRECISAMENTE 35MM COMPLETE
LEVIER PRECISAMENTE 35 MM COMPLET

FIN.
C

VG34097XX

LEVA PRECISAMENTE 25MM COMPLETA
LEVER PRECISAMENTE 25MM COMPLETE
LEVIER PRECISAMENTE 25 MM COMPLET

FIN.
C

VG34098XX

LEVA PRECISAMENTE 25MM COMPLETA
LEVER PRECISAMENTE 25MM COMPLETE
LEVIER PRECISAMENTE 25 MM COMPLET

FIN.
C

VG34104XX-AR
VG34104XX-AR-180
VG34104XX-AR-90

LEVA OGGETTO3 D.35 COMPLETA
OGGETTO3 D.35 COMPLET
OGGETTO3 LEVIER D.35 COMPLET

FIN.
C

VG34107XX-100-AR

LEVA STILO ASTA INCLINATA L=100 MM.
INCLINED STILO LEVER L=100 MM
LEVIER STILO INCLINÉ L=100 MM.

FIN.
C

VG36005XX-AR

MANIGLIA TERMOSTATICO STILO
STILO THERMOSTATIC HANDLE
POIGNEE THERMOSTATIQUE STILO

FIN.
C

VG36053XX-AR

MANIGLIA TERMOSTATICO QUADRO
QUADRO THERMOSTATIC HANDLE
POIGNEE THERMOSTATIQUE QUADRO

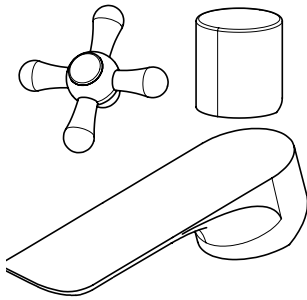
FIN.
C

VG36060XX-AR

MANIGLIA TERMOSTATICO STILO
THERMOSTATIC STYLUS HANDLE
POIGNÉE DE STYLET THERMOSTATIQUE

FIN.
C

■ MANIGLIE E LEVE | HANDLES AND LEVERS | POIGNEE ET LEVIERS



VG34082XX-AR

MANIGLIA TERMOSTATICO QUADRO

STILO D35 MM. LEVER
LEVIER STILO D35 MM.

FIN.
C

VA37091C

MANIGLIA VITONE ACQUE SEPARATE

COMPLETE BUSH BOCCACCIO7
DOUILLE COMPLÈTE BOCCACCIO7

FIN.
C

VG37005XX

**MANIGLIA DEVIATORE STILO
STILO DIVERTER HANDLE
POIGNEE INVERSEUR STILO**

FIN.
C

VG37053XX

**MANIGLIA DEVIATORE QUADRO
QUADRO DIVERTER HANDLE
POIGNEE INVERSEUR QUADRO**

FIN.
C

**VG37055XX
VG37055XX-AR
VG37055XX-AR-180**

**MANIGLIA DEVIATORE/VITONE STILO
STILO DIVERTER/HEAD WORK HANDLE
POIGNEE INVERSEUR/TETE MECANIQUE STILO**

FIN.
C

VG37056XX

MANIGLIA DEVIATORE VANTAGGIO
X
X X 35 XX COMPLET

FIN.
C

**VG37057XX
VG37057XX-AR
VG37057XX-AR-180**

**MANIGLIA DEVIATORE/VITONE QUADRO
QUADRO DIVERTER/HEAD WORK HANDLE
POIGNEE INVERSEUR/TETE MECANIQUE QUADRO**

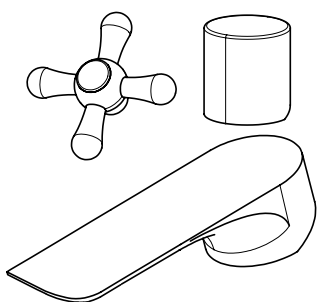
FIN.
C

**VG37083XX
VG37083XX-AR
VG37083XX-AR-180
VG37083XX-AR-90**

MANIGLIA VITONE BOCCACCIO7
X COMPLET
OGGETTO3 X COMPLET

FIN.
C

■ MANIGLIE E LEVE | HANDLES AND LEVERS | POIGNEE ET LEVIERS

**VG37084XX-SER****MANIGLIA DEVIATORE STILO PER THERMO**

DIVERTER HANDLE STILO FOR THERMO
POIGNÉE DE DÉVIATION STILO POUR THERMO

FIN.

C

VG37084XX-SER-2**MANIGLIA DEVIATORE VASCA CON BOCCA PER THERMO**

BATH DIVERTER HANDLE WITH SPOUT FOR THERMO
POIGNÉE D'INVERSEUR DE BAIN AVEC BEC POUR THERMO

FIN.

C

VG37027XX-SER**MANIGLIA DEVIATORE STILO MISCELATORE**

STILO DIVERTER HANDLEC
STILO POIGNÉE DE DÉVIATION

FIN.

C

VG37027XX-SER-2**MANIGLIA DEVIATORE MISCELATORE VASCA CON BOCCA**

BATHTUB MIXER DIVERTER HANDLE WITH SPOUT
MITIGEUR DE BAIGNOIRE AVEC BEC

FIN.

C

VG34081XX-SER**MANIGLIA DEVIATORE QUADRO PER THERMO**

DIVERTER HANDLE QUADRO FOR THERMO
POIGNÉE DE DÉVIATION QUADRO POUR THERMO

FIN.

C

VG34081XX-SER-2**MANIGLIA DEVIATORE VASCA CON BOCCA PER THERMO**

BATH DIVERTER HANDLE WITH SPOUT FOR THERMO
POIGNÉE D'INVERSEUR DE BAIN AVEC BEC POUR THERMO

FIN.

C

VG37028XX-SER**MANIGLIA DEVIATORE QUADRO MISCELATORE**

HANDLE DIVERTER QUADRO MIXER
POIGNÉE INVERSEUR QUADRO MÉLANGEUR

FIN.

C

VG37028XX-SER-2**MANIGLIA DEVIATORE QUADRO MISCELATORE VASCA CON BOCCA**

HANDLE DIVERTER SQUARE BATH MIXER WITH SPOUT
POIGNÉE INVERSEUR BAIN CARRÉ AVEC BEC

FIN.

C