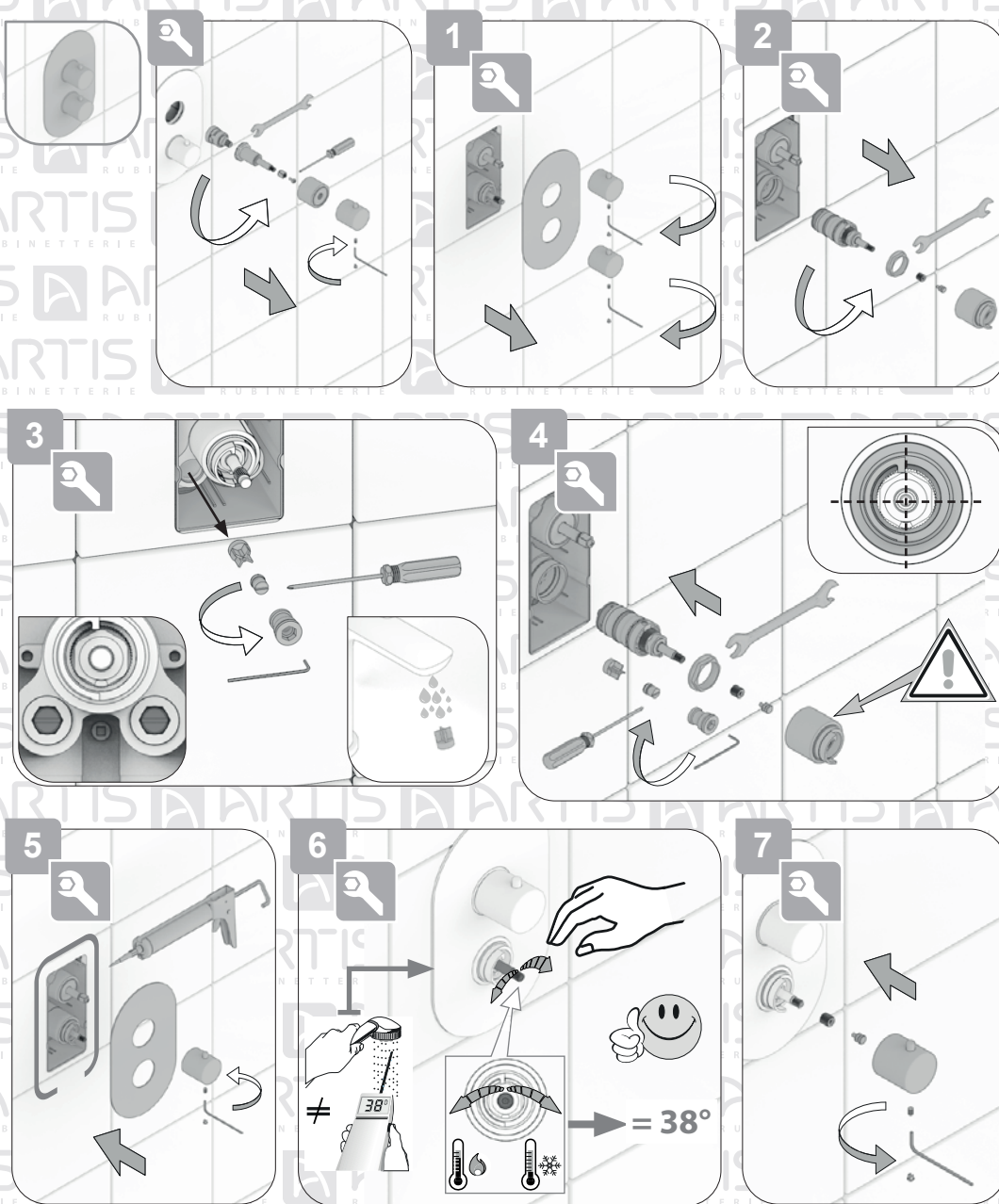


**ISTRUZIONI DI MONTAGGIO
INCASSI DOCCIA TERMOSTATICI**

**INSTALLATION INSTRUCTIONS
THERMOSTATIC CONCEALED SHOWER VALVES**

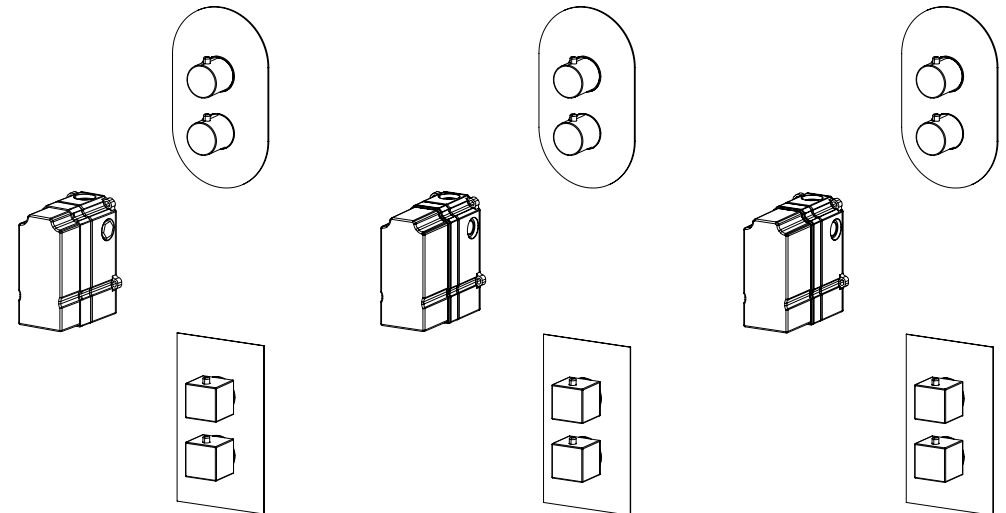
**INSTRUCTIONS DE MONTAGE
MITIGEUR DOUCHE THERMOSTATIQUE À ENCASTRER**



1 VIA/1 WAY/1 VOIE

2 VIE/2 WAYS/2 VOIES

3 VIE/3 WAYS/3 VOIES



| | | | | | | |
|----------------------------------|---------------------------|------------------------------|-------------------------|--|--|---|
| | | | | | | |
| PULIZIA CLEANING NETTOYAGE | SAPONE SOAP SAVON ✓ | SPUGNA SPONGE ÉPONGE ✓ | ACQUA WATER EAU ✓ | MICROFIBRA MICROFIBER MICROFIBRE ✓ | SPUGNA ABRASIVA STEEL WOOL ÉPONGE ABRASIVE ✗ | DETERGENTI DETERGENT DETERGENTS ✗ |

OK
3 Bar - 45 psi

MIN. 1 Bar
14.5 psi

MAX. 5 Bar
75 psi



— MAX 80°C - 175°F
— OK 65°C-150°F
— MIN 15°C-60°F



Eseguire il lavaggio della tubazione come suggerisce la normativa DIN 1988 / EN 1717.
To complete the installation flush out both hot and cold water supply.
Rincer l'installation complete conformément à la réglementation et aux normes.



Informazioni
Informations
Informations



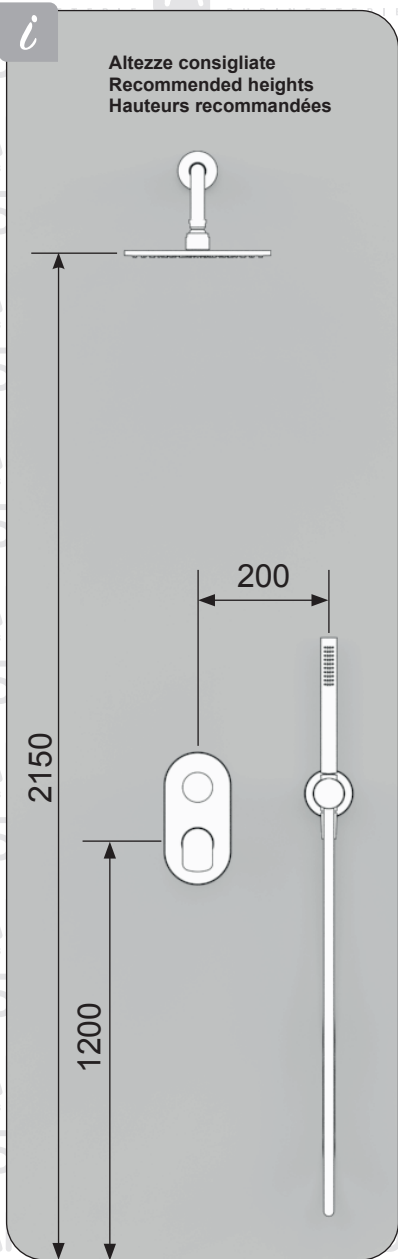
Manutenzione
Maintenance
Entretien



Prestare attenzione
Pay attention
Prêter attention



Installazione corretta
Correct installation
Montage correcte



1-2-3 VIE
1-2-3 WAYS
1-2-3 VOIES

